



35

Netter Electronic Timer Type AP 115 and Series PAP



- Adjustment exact to the second
- Dust and water-splash protected
- For the control of electric and pneumatic vibrators



AP 115



PAP 115

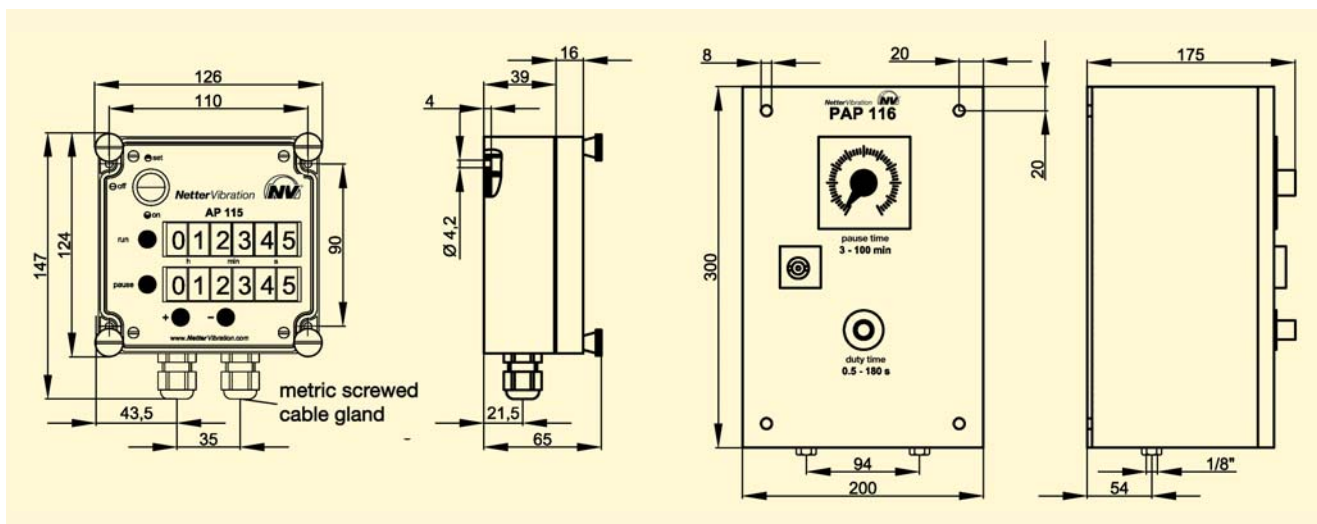


PAP 116



Netter Electronic Timer Type AP 115 and Series PAP

Type	AP 115	PAP 115	PAP 116
Operation mode	electric, non-contact	pneumatic	pneumatic
Adjustment	digital	analogue	analogue
Duty time	hh : mm : ss, 1 s to 99 h	0.5 s to 180 s (down)	0.5 s to 180 s (down)
Pause time	hh : mm : ss, 1 s to 99 h	0.5 s to 100 s (up)	1 min to 180 min (up)
-	-	-	-
Own consumption	7.5 VA	-	-
Input/output	AC 100 V to 240 V (50/60 Hz) DC 24 V ± 5 %	1/8"	1/8"
Operating pressure	-	min. 300 kPa	min. 300 kPa
Ambient temperature	-20°C to 40°C	-20°C to 60°C	-20°C to 60°C
Protection	IP 65, radio interference suppression	IP 66	IP 66
Housing	polycarbonate, crystal clear cover	Al	Al



AP 115

Applications

The electronic timer AP115 is used to control pneumatic and electric vibrators. The advantages of temporary vibrator application are that noise levels can be reduced and energy saved.

Construction and Working Principle

The electronic timer is used to operate solenoid valves or motor overheating protection at freely selectable intervals. The sequence begins with the duty time, which can be adjusted from 1 s to 99 h. During this time the supply voltage is applied to the consuming device being controlled. When the duty time ends, the pause time of 1 s to 99 h is run, then the duty time, etc. The elapsed time is visible on the display. The A115 can be used separately or integrated in a switching cabinet.

PAP 115 and PAP 116

Applications

Series PAP pneumatic time controls are suitable for interval control of vibrators, as well as the control of impactors (PKL). The times can be continuously adjusted.

Construction and Working Principle

Activation (on/off) with a directional control valve. The PAP can actuate all directional, valves, but is not sufficient for the direct activation of consuming devices. It must be ensured that enough adequately sized actuation valves are provided for vibrators, etc. The pause time of the PAP 115 can be adjusted exact to the second, that of the PAP 116 exact to the minute. Use filtered (filter ≤ 5 µm) compressed air. Constant pressure guarantees reproducible times.

VSS offers the accessories required for mounting, installation and control of vibrators and interval impactors.

**VSS provides solutions.
Consult our experienced application technicians.**

Vibration Systems & Solutions (Australia)

Branches in all States

1800 300 877

sales@vibrationsystems.com.au

www.vibrationsystems.com.au

